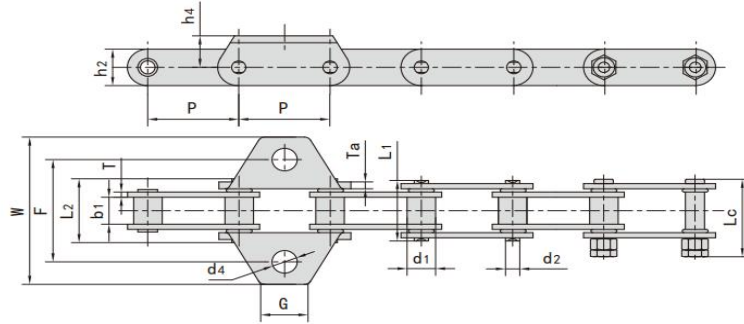
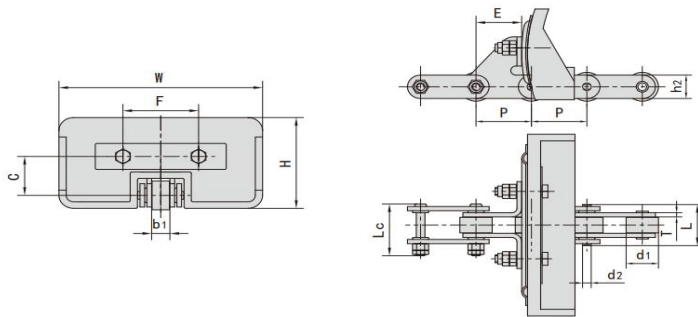


O-Ring agricultural chains



Chain No.	Pitch	Roller diameter	Width between inner plates	Pin diameter	Pin length			Plate dimension		Tensile strength	Weight per meter
	P	d1 max	b1 min	d2 max	L1 max	L2 max	Lc max	h2 max	T max	Q min	q
	mm	mm	mm	mm	mm	mm	mm	mm	mm	kN/lbf	kg/m
C2040HOR-WK1F1	25.4	7.95	7.85	3.96	20.5	20.5	26.0	12	2.03	14.1/3170	0.78
C2060F77 OR	38.1	11.91	12.57	5.95	28.5	30.1	37.1	17	2.42	39.2/8813	1.41

Chain No.	P	Ta	G	F	W	h4	d4
	mm	mm	mm	mm	mm	mm	mm
C2040HOR-WK1F1	25.4	2.03	37.4	62.0	80.0	9.5	7.0
C2060F77 OR	38.1	3.25	20.0	48.0	69.0	14.7	10.5



Chain No.	Pitch	Roller diameter	Width between inner plates	Pin diameter	Pin length		Plate dimension		Attachment dimension					Tensile strength
	P	d1 max	b1 min	d2 max	L max	Lc max	h2 max	T max	C	W	F	H	E	Q min
	mm	mm	mm	mm	mm	mm	mm	mm	mm	mm	mm	mm	mm	kN/lbf
C2062H ORSDF1	38.1	22.23	12.57	5.94	31.7	40.0	18.0	3.25	30.0	140.0	52.0	70.0	31.4	31.8/7150